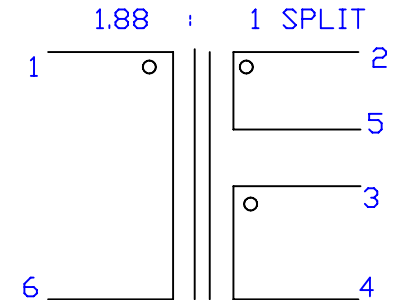
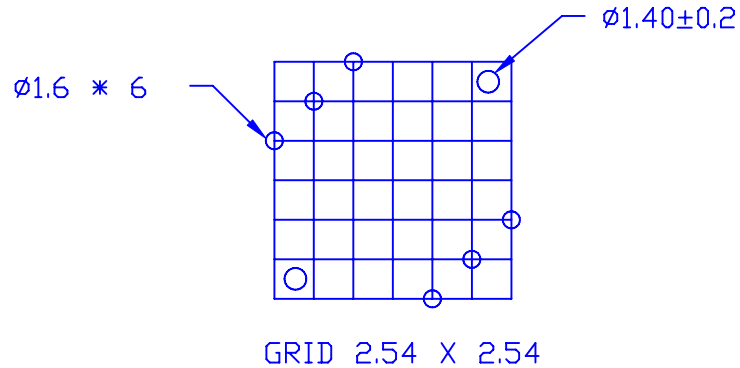
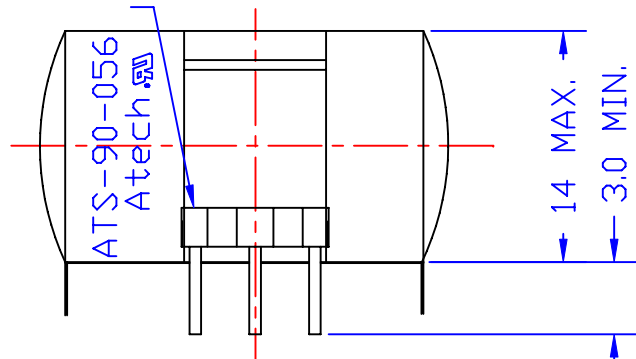
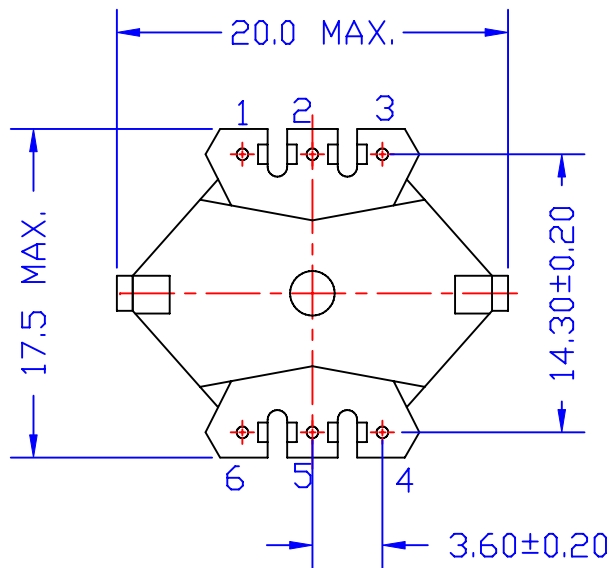


WHITE DOT IN PIN# 1



ELECTRICAL CHARACTERISTICS:
(FOR MITEL MT8972 DNIC INTERFACE)

- 1 D.C.R. : PIN 1-6 = 5.2 OHM MAX.
PIN 2-4 = 3.3 OHM MAX. (3-5 SHORT)
- 2 IMPEDANCE : (@ 120KHZ, 1Vrms, 1-6 W/H 40mA DC)
1-6 : 2-4 = 410 OHM \pm 10% : 115 OHM
- 3 INDUCTANCE : (@ 120KHZ, 1Vrms, W/H 70mA DC)
2-4 = 1.69 mH \pm 10%
- 4 INSERTION LOSS (@ 120 KHZ, 1Vrms, 1-6 W/H 40m ADC)=2.2dB MAX.
- 5 FREQ. RESP. : AT 60HZ = \pm 2db, AT 200KHZ = \pm 1.5db
- 6 LEAKAGE INDUCTANCE : (@ 120KHZ, 1Vrms, 1-6 SHORT)
2-4 = 25uH MAX.
- 7 INTERWINDING CAP. : (@ 120KHZ, 0.1Vrms, 1-6 SHORT, 2-3-4-5 SHORT) 1-2 = 30 PF MAX.
- 8 HI-POT = 1500VAC, 1mA, 1MINUTE (PRI-SEC)



C	Length=20.0 MAX.	12/02/2004	PAIR	AL	SUEDY	Atech [®] Atech Technology Co., Ltd. TEL:(02)2794-6667 FAX:(02)2794-8004	TITLE	PULSE TRANSFORMER
B	MANY	01/20/99	PAIR		SUEDY		DWG. NO.	ATS-90-056
A	MANY							
	RELEASE		PAIR		SUEDY	UNITS:	SAFETY	SHEET 1 OF 1
NO:	DESCRIPTION	DATE	BY	CHK	APPD	M/M	P/N:	PAIR
REVISIONS						DATE	CTP806000A	DRAW