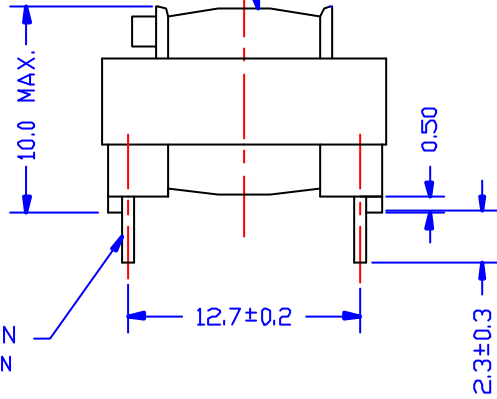
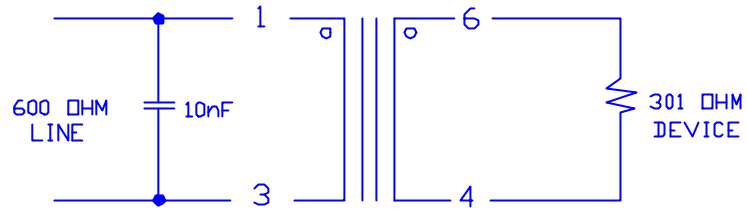
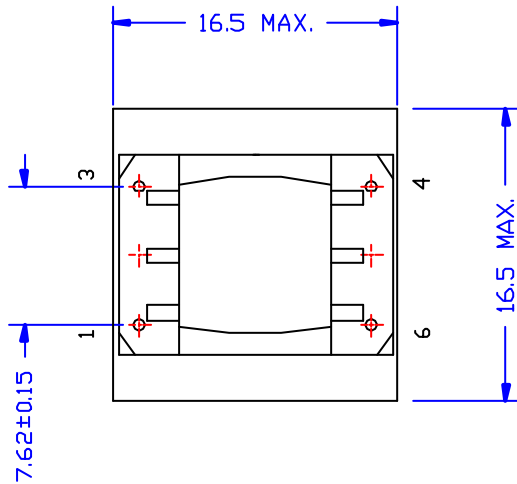


BLACK DOT PIN#1

Atech  
ATS-354



0.5 SQ. PIN  
OR Ø0.6 PIN



ELECTRICAL CHARACTERISTICS:

1. D.C.R. : PIN 1-3 = 150 OHM+/-12% PIN 6-4 = 150 OHM+/-12%
2. INDUCTANCE(@250HZ,1Vrms, PARALLEL): PIN 1-3 = 20H MIN.
3. RETURN LOSS : (REF. 600 OHM) 200 TO 4KHZ = 30dB MIN.
4. INSERTION LOSS : (@1KHZ,0dBm) PIN 1-3 = 3+/- 0.3dB
5. FREQ. RESPONSE: (REF. 1KHZ) 200 TO 4KHZ = +/-0.2dB
6. LONGITUDINAL BALANCE : 200HZ-4KHZ 80dB MIN.
7. TURN RATIO : (8KHZ, 1Vrms) PIN 1-3 : 6-4 = 1+/-1%
8. DISTORTION : 150HZ, -3dBm : -76dB MAX.  
300HZ, -10dBm : -76dB MAX.
9. HI-POT : (@1250VAC, 1mA, 2SEC) PRI-SEC

|           |             |           |      |     |       |  |                              |              |
|-----------|-------------|-----------|------|-----|-------|--|------------------------------|--------------|
|           |             |           |      |     |       | <b>Atech</b> <sup>®</sup><br>Atech Technology Co., Ltd.<br>TEL:(02)2794-8887 FAX (02)2794-8884 | TITLE 600:301<br>TRANSFORMER |              |
|           |             |           |      |     |       |  | DWG. NO.<br>ATS-354          |              |
| A         | H=10.5 MAX  | 03/03/99  | PAIR |     | SUEDY | UNITS:<br>M/M  | SAFETY                       | SHEET 1 OF 1 |
|           | RELEASE     | DATE 2/99 | PAIR |     | SUEDY |  |                              | DATE         |
| NO.       | DESCRIPTION | DATE      | BY   | CHK | APPD  |  |                              |              |
| REVISIONS |             |           |      |     |       | 03/03/99   |                              |              |