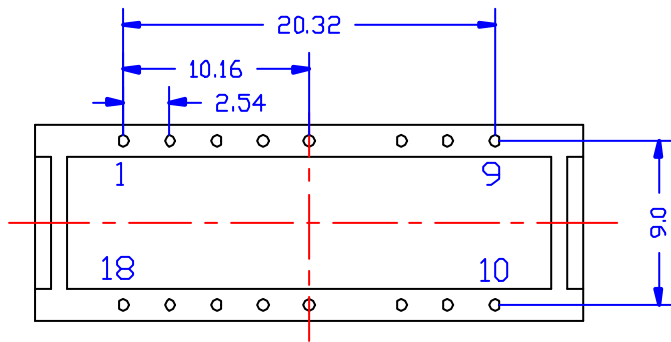
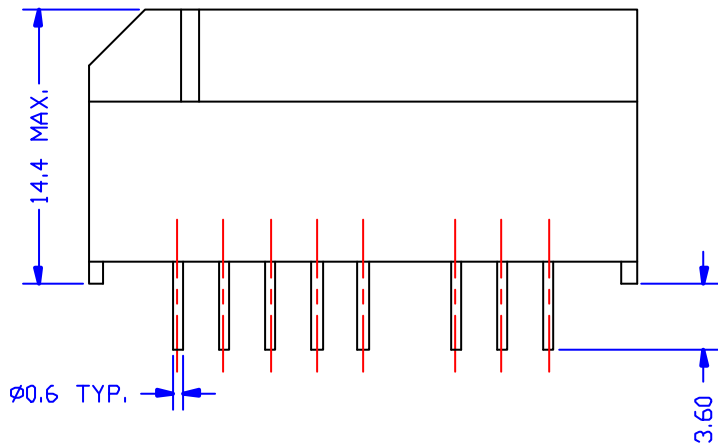


ELECTRICAL CHARACTERISTICS:

- D.C.R. : 2-17 = 4-15 = 2.5 OHM MAX.
9-7 = 10-12 = 5.6 OHM MAX.
1-2 = 17-18 = 4-5 = 14-15 = 1.1 OHM MAX.
- INDUCTANCE : (@10KHZ, 0.1Vrms)
2-17 = 4-15 = 30mH MIN.
1-2 = 17-18 = 4-5 = 14-15 = 5mH +50/-30%
- LEAKAGE INDUCTANCE : (@100KHZ, 0.1Vrms, 9-7,10-12 SHORT)
2-17 = 4-15 = 5uH MAX.
- CHOKER LEAKAGE INDUCTANCE : (@100KHZ, 0.1Vrms, 17-18, 14-15 SHORT)
1-2 = 4-5 = 0.6uH MAX.
- INTERWINDING CAP.:(@10KHZ,0.1Vrms)
1-9 = 5-10 = 150pF MAX.
- TURNS RATIO : (@15KHZ, 0.1Vrms)
9-7 : 2-17 = 2+/-1%
10-12 : 4-15 = 2+/-1%
1-2 : 18-17 = 5-4 : 14-15 = 1+/-1%
- HI-POT : 2-9, 4-10 (@2000Vrms, 1mA 2SEC.)
3-16 (@500Vrms, 1mA,2SEC, 1-9, 5-10 SHORT)



| | | | | | | | | |
|-----------|---------------|----------|------|-----|--------|-------------------------------------|----------------|--------------|
| | | | | | | Atech [®] | TITLE | |
| | | | | | | | ISDN SO MODULE | |
| B | H = 14.4 MAX. | 08/19/98 | pair | | suedy | Atech Technology Co., Ltd. | | DWG. NO |
| A | LEAKAGE 4-5 | 07/04/98 | pair | | suedy | TEL:(02)2794-8867 FAX:(02)2794-8004 | | ATS-303 |
| | RELEASE | 07/01/98 | PAIR | | SLEIDY | UNITS | SAFETY | SHEET 1 OF 1 |
| NO: | DESCRIPTION | DATE | BY | CHK | APPI | M/M | | |
| REVISIONS | | | | | | 07/01/98 | DRAW | |
| | | | | | | | Pair | |