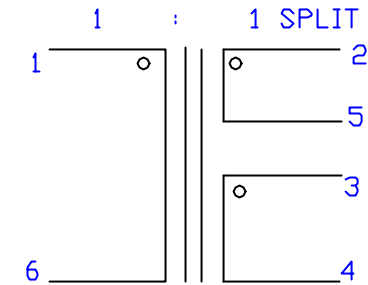
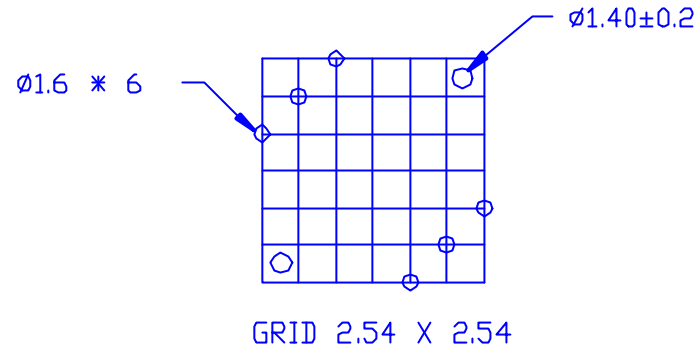
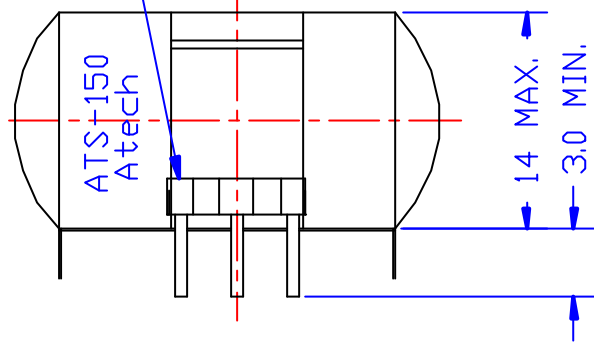
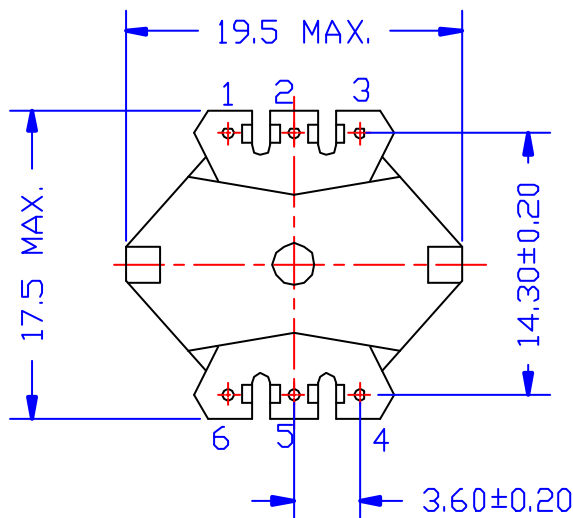


WHITE DOT IN PIN# 1



ELECTRICAL CHARACTERISTICS:

1. D.C.R. : PIN 1-6 = 1.0 OHM MAX.
PIN 2-4 = 1.0 OHM MAX. (3-5 SHORT)
- 2 INDUCTANCE : (@ 10KHZ, 0.1Vrms, W/H 76mA DC)
1-6 = 2.0 mH \pm 10%
- 3 LEAKAGE INDUCTANCE : (@ 100KHZ, 0.1Vrms, 1-6 SHORT)
2-4 = 10uH MAX.
- 4 INTERWINDING CAP : (@ 100KHZ, 0.1Vrms, 1-6 SHORT, 2-3-4-5 SHORT) 1-2 = 100 PF MAX.
- 5 TURN RATIO: (@ 120KHZ, 1Vrms 3-5 SHORT) 1-6 : 2-4 = 1:1
- 6 HI-POT = 2000VAC, 1mA, 2 SEC (PRI-SEC)



						Atech [®]		TITLE PULSE TRANSFORMER	
						Atech Technology Co., Ltd.		DWG. NO. ATS-150	
						TEL: (02)2794-8887 FAX: (02)2794-8884			
RELEASE		PAIR	SLIEDY	UNITS		SAFETY		SHEET 1 OF 1	
NO:	DESCRIPTION	DATE	BY	CHK	APPD	M/M		DRAW	
REVISIONS						DATE		Pair	