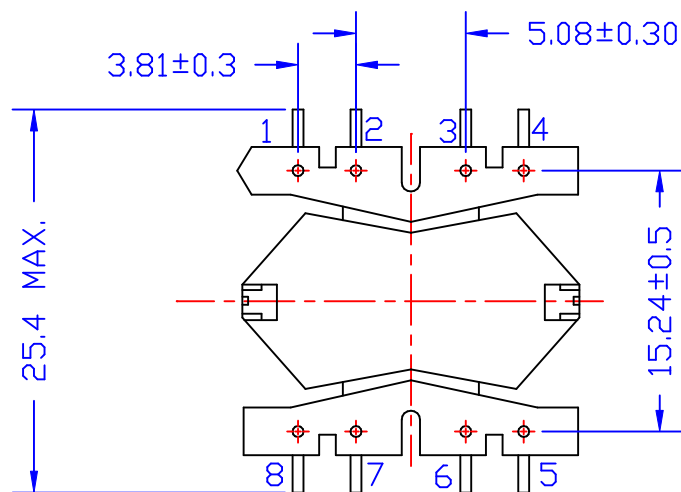
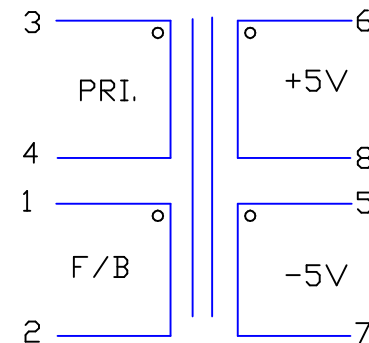
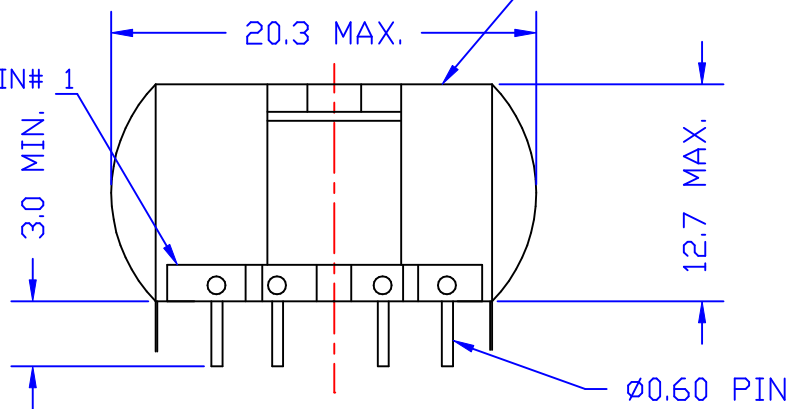


ATS-083
Atech

WHITE DOT IN PIN# 1

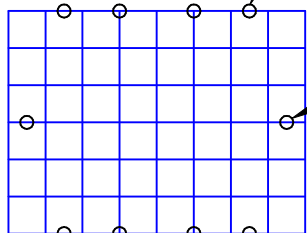


ELECTRICAL CHARACTERISTICS:
(FOR SI 9105 ISDN DC/DC EMERGENCY)

- D.C.R. : PIN 1-2 = 3 Ω MAX. PIN 3-4 = 5 Ω MAX.
PIN 5-7 = 0.18 Ω MAX. PIN 6-8 = 0.10 Ω MAX.
- INDUCTANCE(@10KHZ, 0.5Vrms) : PIN 3-4 = 3.75mH±5%
- LEAKAGE INDUCTANCE(@100KHZ, 0.5Vrms, W/H PIN 1-2 SHORT):
PIN 3-4 = 80 μH MAX.
- TURN RATIO(@100KHZ, 0.5Vrms)
PIN 3-4 : 1-2 = 2.2±1%
PIN 3-4 : 5-7 = 4.29±1%
PIN 3-4 : 6-8 = 4.29±1%
- HI-POT(@1500Vrms, 1mA, 2SEC) : PIN 1-5, 1-6, 1-CORE
PIN 3-5, 3-6, 3-CORE

Ø1.0^{+0.15}₋₀

Ø1.3 GND



GRID 2.54*2.54

						Atech [®]		TITLE TRANSFORMER	
						Atech Technology Co., Ltd.		DWG. NO. ATS-083	
						TEL:(02)2794-6667 FAX:(02)2794-8004			
RELEASE		PAIR		SUEDY		UNITS: M/M		SAFETY	
NO:	DESCRIPTION	DATE	BY	CHK	APPD	DATE		SHEET 1 OF 1	
REVISIONS						E159603		DRAW Pair	