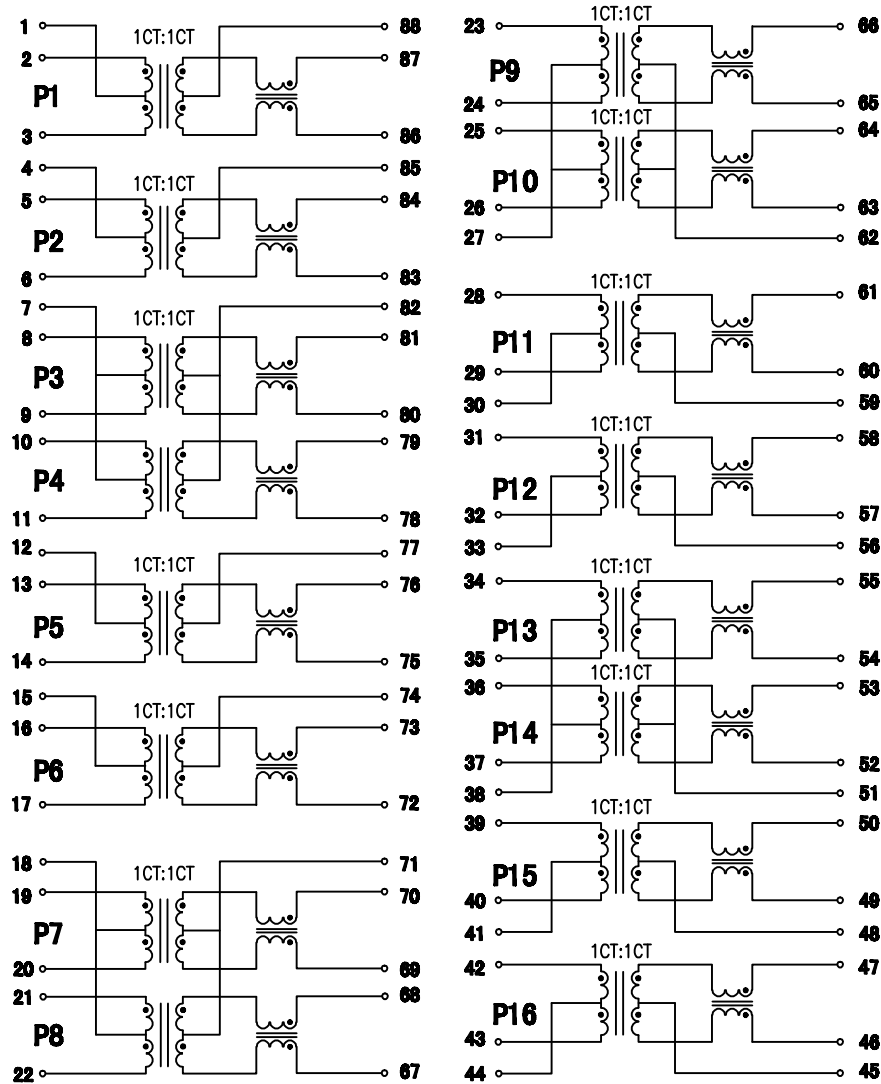


							TITLE	
							QUAD	
							DWG. NO.	
							ATPL-483R	
RELEASE		07/29/2015	SHIRLEY	BETTY	BETTY	UNITS:	SAFETY	
						M/M		
NO:	DESCRIPTION	DATE	BY	CHK	APPD	DATE	P/N:	SHEET 1 of 2
REVISIONS						07/29/15		DRAW
								SHIRLEY



ELECTRICAL CHARACTERISTICS :

1. INSULATION HI-POT(PRI./SEC.) : 1500Vrms
2. TURN RATIO ( $\pm 5\%$ ) : TX = 1CT : 1CT , RX = 1CT : 1CT
3. OCL : 350uH MIN. 100kHz/0.1V AT 8mA DC BIAS
4. INSERTION LOSS (dB MAX.) : -1.1dB MAX.(@1-100MHz)
5. RETURN LOSS (dB MIN.) :
 

1-30MHz	40MHz	50MHz	60-80MHz	100MHz
-18	-14.4	-13.1	-12	-10
6. CROSS TALK (dB MIN.) : 1-100MHz : -30dB MIN.
7. CMRR (dB MIN.) : 1-100MHz : -30dB MIN.
8. OPERATING TEMPERATURE RANGE : 0°C~+70°C
9. RoHS COMPLIANT

UNIT : mm

					<b>AOEM</b>		TITLE QUAD 1000 BASE-T	
							DWG. NO. ATPL-483R	
RELEASE		07/29/2015	SHIRLEY	BETTY	BETTY	UNITS: M/M	SAFETY	
NO:	DESCRIPTION	DATE	BY	CHK	APPD	DATE	P/N:	SHEET 2 of 2
REVISIONS						07/29/15	DRAW SHIRLEY	