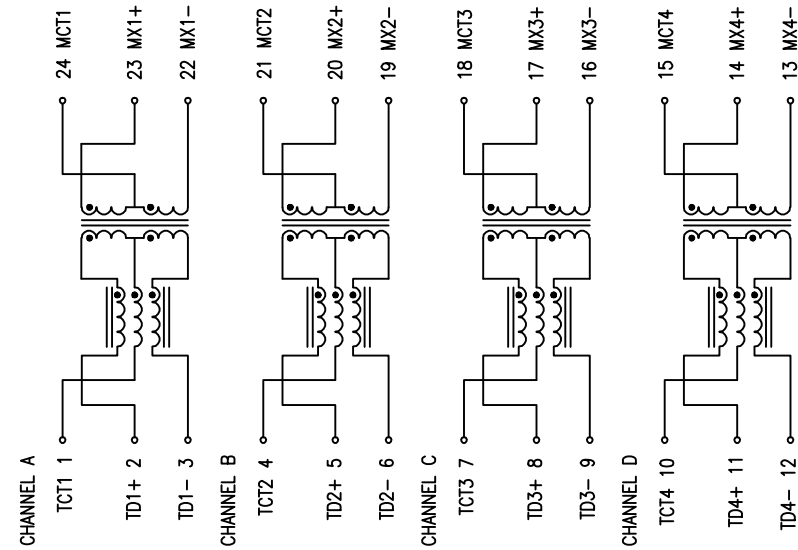


SUGGESTED PAD LAYOUT



ELECTRICAL CHARACTERISTICS:

- TURN RATIO : TX = 1CT : 1CT ±3%  
RX = 1CT : 1CT ±3%
- OCL(@100KHZ,0.1Vrms W/H 8mA/DC BIAS) : 350uH MIN.
- HI-POT : 1.5KVrms
- CROSS TALK ATTENUATION : 1-100MHz = -30dB MIN.
- RETURN LOSS :  
1-30MHz = -18dB MIN. 40MHz = -14.4dB MIN.  
50MHz = -13.1dB MIN. 60-80MHz = -12dB MIN.  
100MHz = -10dB MIN.
- INSERTION LOSS : 1-100MHz = -1.1dB MAX.
- DCMR : 1-100MHz = -30dB MIN.
- OPERATING TEMPERATURE RANGE : -40°C~+85°C
- Suitable for End-span PoE Application with 720mA Current capability
- RoHS COMPLIANT

							TITLE 10/100/1000 BASE-T TRANSFORMER	
							DWG. NO. ATPL-478R	
RELEASE		04/15/2015	SHIRLEY	BETTY	BETTY	UNITS: M/M	SAFETY	SHEET 1 of 1
NO:	DESCRIPTION	DATE	BY	CHK	APPD	DATE	P/N:	DRAW
REVISIONS						04/14/15		SHIRLEY