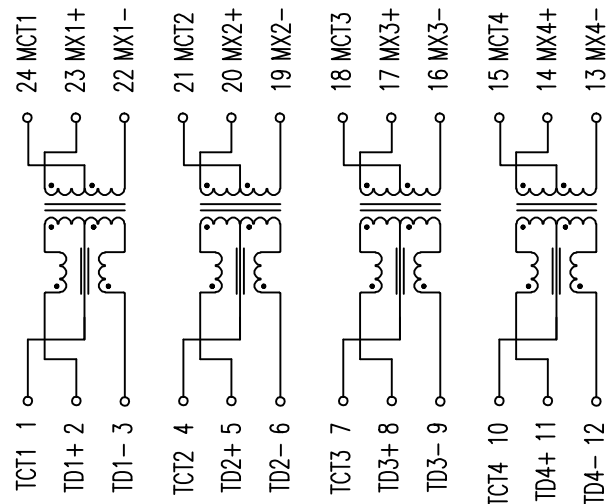


SUGGESTED PAD LAYOUT



ELECTRICAL CHARACTERISTICS :

- INSULATION HI-POT : 1500 Vrms/0.5mA ,60Sec.
- TURN RATIO ( $\pm 5\%$ ) : 1CT : 1CT
- OCL : (@100kHz, 0.1Vrms) : 280uH MIN
- CROSS TALK (dB MIN.) : 1-500MHz : -25
- INSERTION LOSS : 0.1-1MHz : -3.0dB MAX. 1-200MHz : -1.2dB MAX.  
200-300MHz : -1.5dB MAX. 300-400MHz : -2.0dB MAX.  
400-500MHz : -3.0dB MAX.
- RETURN LOSS : 0.3-100MHz : -18dB MIN. 100-200MHz : -16dB MIN.  
200-300MHz : -12dB MIN. 300-400MHz : -10dB MIN.  
400-500MHz : -8dB MIN.
- DIFFERENTIAL TO COMMON MODE REJECTION (dB MIN.) : 1-500MHz : -25
- LK(100kHz, 0.1Vrms) : 0.5uH MAX.
- Cw/w (100kHz, 0.1Vrms) : 25pF TYP.
- DCR : 0.9 $\Omega$  TYP.
- RoHS COMPLIANT

							TITLE 10G BASE-T TRANSFORMER	
							DWG. NO. ATPL-475R	
RELEASE		12/04/2014	SHIRLEY	BETTY	BETTY	UNITS: M/M	SAFETY	SHEET 1 of 1
NO:	DESCRIPTION	DATE	BY	CHK	APPD	DATE	P/N:	DRAW
REVISIONS						12/04/14		SHIRLEY