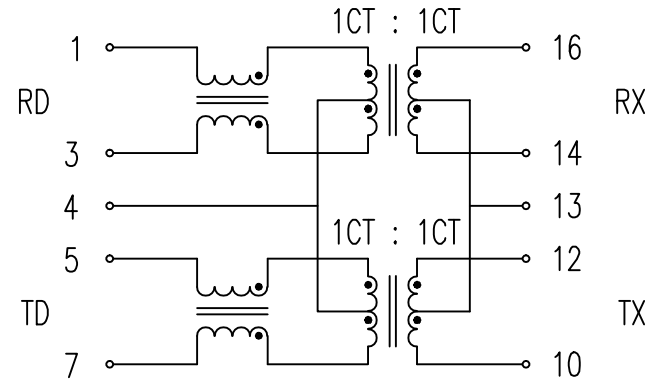


UNLESS OTHERWISE SPECIFIED ALL TOLERANCES ARE : XX.XX ±0.25mm
0.XX ±0.05mm



ELECTRICAL SPECIFICATIONS @25°C :

1. TURNS RATIO : TX = 1CT : 1CT (±5%)
RX = 1CT : 1CT (±5%)
2. OCL (100KHz/0.1V WITH 8mA/DC BIAS) : 350uH MIN.
3. CW/W (TX/RX) : 50pF
4. PRI DCR : 0.9Ω MAX.
5. LK (@100KHz/0.2V) : 0.6uH MAX.
6. INSERTION LOSS : 1-100MHz = -1.0dB MAX.
7. CROSS TALK : 1-100MHz = -35dB MIN.
8. RETURN LOSS : 30MHz = -16dB MIN.
40MHz = -15dB MIN.
50MHz = -13dB MIN.
60-80MHz = -11dB MIN.
9. CMRR : 1-100MHz = -30dB MIN.
10. HI-POT : 1500Vrms
11. RoHS COMPLIANT

UNIT:mm

							TITLE		10/100 BASE-TX TRANSFORMER				
							DWG. NO.		ATPL-461R				
					RELEASE	10/18/2013	SHIRLEY	BETTY	BETTY	UNITS:	SAFETY		SHEET 1 of 1
					NO:	DESCRIPTION	DATE	BY	CHK	APPD	DATE	P/N:	DRAW
					REVISIONS					10/18/13	SHIRLEY		