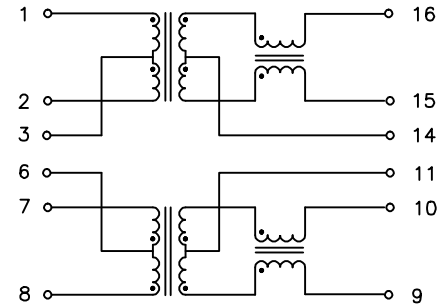


SUGGESTED PAD LAYOUT

TOLERANCES: xx.x0 ± 0.25
0.xx ± 0.05



ELECTRICAL CHARACTERISTICS:

- INSULATION HI-POT (PRI./SEC.) : 1500 Vrms
- TURN RATIO (±5%) : TX = 1CT : 1CT
RX = 1CT : 1CT
- OCL : 350uH MIN. 100KHz/0.1V AT 8mA DC BIAS
- INSERTION LOSS (dB MAX.) : 1-100MHz = -1.0
- RETURN LOSS (dB MIN.) :
1-30MHz 30-60MHz 60-80MHz
-18 -14 -12
- CROSS TALK (dB MIN.) : 1-60MHz 60-100MHz
-40 -35
- COMMON MODE REJECTION : 1-60MHz = -37dBMIN.
60-100MHz = -28dB MIN.
- RoHS COMPLIANT

							TITLE 10/100 BASE-TX TRANSFORMER	
							DWG. NO. ATPL-447R	
RELEASE	08/27/2012	SHIRLEY	BETTY	BETTY	UNITS: M/M	SAFETY		SHEET 1 of 1
NO:	DESCRIPTION	DATE	BY	CHK	APPD	DATE	P/N:	DRAW
REVISIONS						08/27/12		SHIRLEY