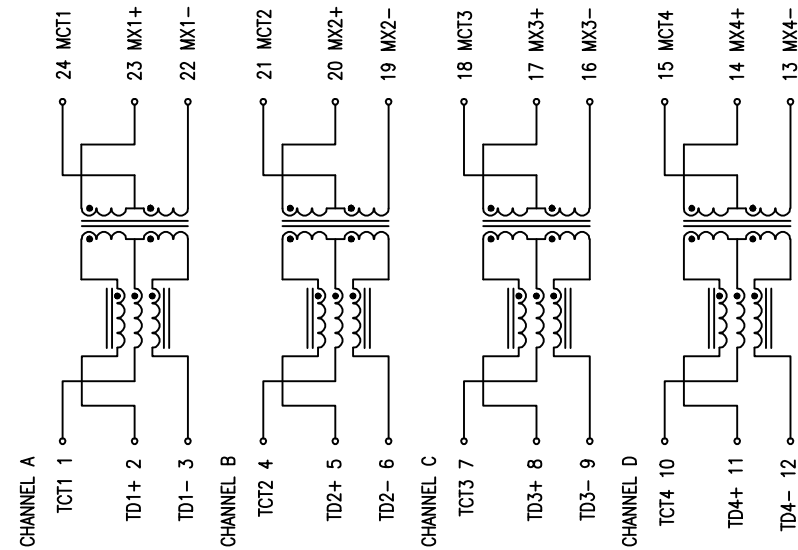


SUGGESTED PAD LAYOUT



ELECTRICAL CHARACTERISTICS :

- INSULATION HI-POT(PRI./SEC.) : 1500Vrms
- TURN RATIO ( $\pm 5\%$ ) : TX = 1CT : 1CT , RX = 1CT : 1CT
- OCL : 350uH MIN. 100KHz/0.1V AT 8mA DC BIAS
- INSERTION LOSS (dB MAX.) : 30MHz 60MHz 80MHz 100MHz  

-1.1	-0.8	-1.0
------	------	------
- RETURN LOSS (dB MIN.) : 30MHz 60MHz 80MHz 100MHz  

-18	-14.4	-12	-11
-----	-------	-----	-----
- CROSS TALK (dB MIN.) : 30MHz 60MHz 100MHz  

-41	-37	-33
-----	-----	-----
- CMRR (dB MIN.) : 0.3~100MHz  

-30
-----
- OPERATING TEMPERATURE RANGE :  $-40^{\circ}\text{C} \sim +85^{\circ}\text{C}$
- Balanced Dc Line Current : 720mA MAX. @57V DC Continuous  
1.2A MAX. @57V DC For 200Ms
- RoHS COMPLIANT

							TITLE PoE SINGLE 1000 BASE-T	
							DWG. NO. ATPL-438R	
RELEASE		01/20/2014	SHIRLEY	BETTY	BETTY	UNITS: M/M	SAFETY	
NO:	DESCRIPTION	DATE	BY	CHK	APPD	DATE 01/20/14	P/N:	SHEET 1 of 1
REVISIONS								DRAW SHIRLEY