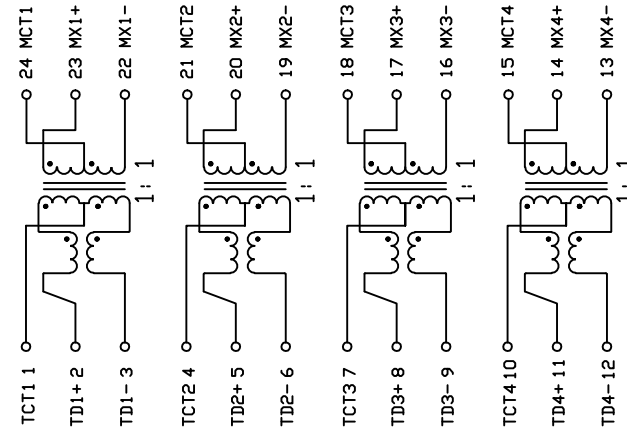


SUGGESTED PAD LAYOUT



\* RoHS COMPLIANT

ELECTRICAL CHARACTERISTICS :

1. INSULATION HI-POT(PRI./SEC.) : 1500Vrms
2. TURN RATIO (±5%) : TX = 1CT : 1CT  
RX = 1CT : 1CT
3. OCL : 350uH MIN. 100KHz/0.1V AT 8mA DC BIAS
- △ 4. CROSS TALK (dB MIN.) : 1-100MHz = -30dB MIN.
- △ 5. INSERTION LOSS (1MHz-100MHz) : -1.1dB MAX.
- △ 6. RETURN LOSS (dB MIN. @100Ω) :  

1-30MHz	40MHz	50MHz	60-80MHz	100MHz
-18	-14.4	-13.1	-12	-10
- △ 7. DIFFERENTIAL TO COMMON MODE REJECTION (dB MIN.) :  
1-100MHz = -30dB MIN.
8. Operating Temperature Range : -40°C ~ +85°C

						TITLE SINGLE 1000 BASE-T	
A CHANGE ELECTRICAL CHARACTERISTICS						DWG. NO. ATPL-411TR	
RELEASE						SAFETY	
NO: DESCRIPTION						SHEET 1 of 1	
REVISIONS						DRAW SHIRLEY	
DATE						P/N:	
10/31/2016						DATE 10/31/16	
BY						UNITS:	
SHIRLEY BETTY BETTY						M/M	
11/01/2016						DATE	
10/31/2016						10/31/16	