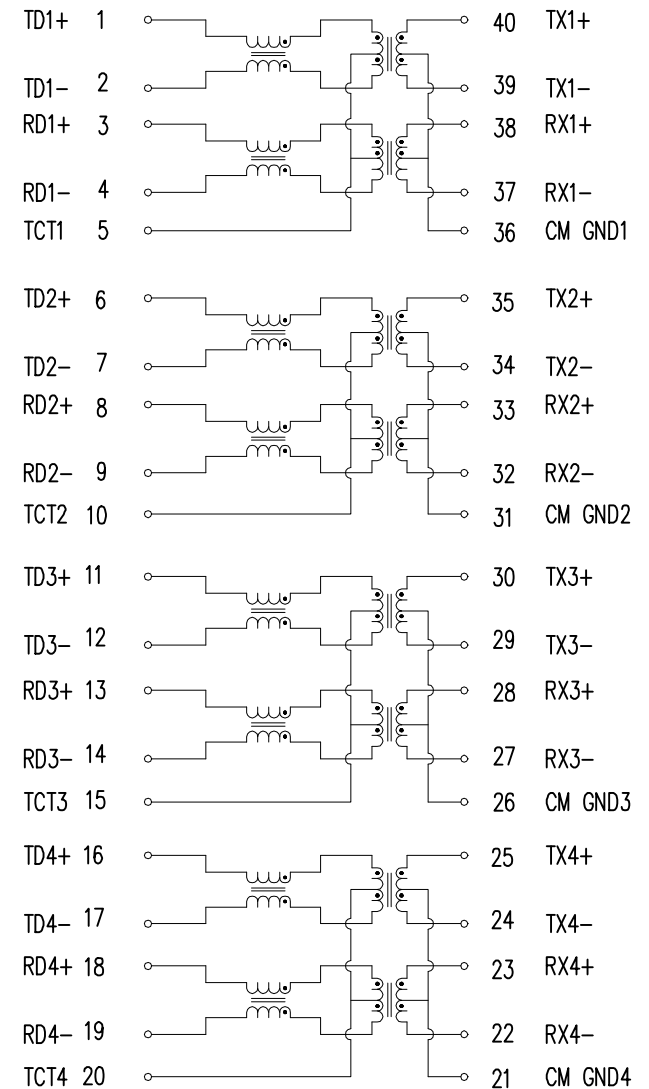


ELECTRICAL CHARACTERISTICS :

1. TURNS RATIO : TX = 1CT : 1CT ±5%
RX = 1CT : 1CT ±5%
2. OCL.(@100KHz, 100mV, 8 mA DC): 350uH MIN.
3. INSERTION LOSS : 1-100MHz = -1.2dB MAX.
4. CROSS TALK : 0.3-30MHz = -40dB MIN.
30-60MHz = -35dB MIN.
60-100MHz = -30dB MIN.
5. RETURN LOSS : 1-30MHz = -15dB MIN.
50MHz = -13dB MIN.
80MHz = -11dB MIN
6. CMRR : 1-30MHz = -30dB MIN.
30-60MHz = -25dB MIN.
60-125MHz = -20dB MIN.
7. HI-POT : (@1500Vrms, 1mA, 1SEC) : PRI-SEC.
8. RoHS COMPLIANT.



UNLESS OTHERWISE SPECIFIED ALL TOLERANCES ARE ±0.25

							TITLE 10/100 BASE-TX QUAD PORTS TRANSFORMER	
							DWG. NO. ATPL-409R	
	RELEASE	09/27/2010	SHIRLEY	KELLY	KING	UNITS: M/M	SAFETY	SHEET 1 OF 1
NO:	DESCRIPTION	DATE	BY	CHK	APPD	DATE	P/N:	DRAW LIGHT
REVISIONS						09/27/2010		