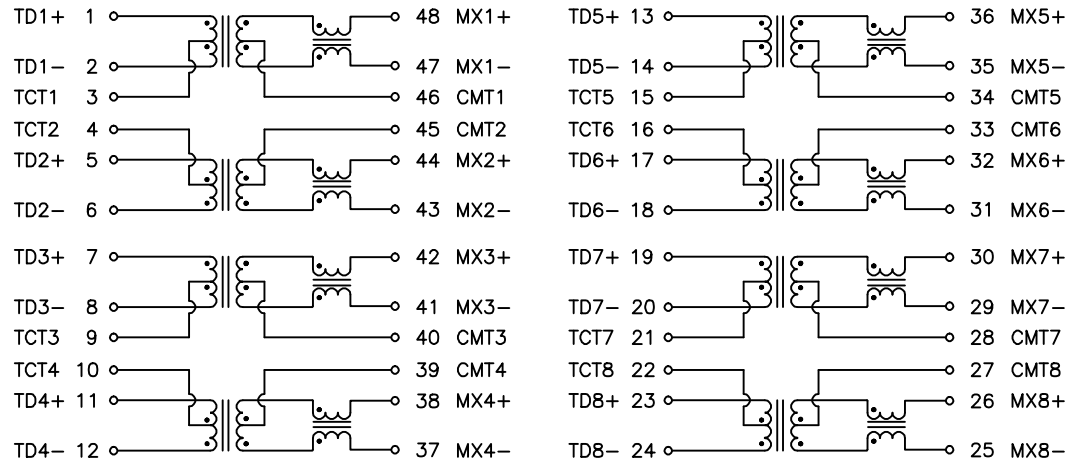


SUGGESTED PCB LAYOUT

UNLESS OTHERWISE SPECIFIED ALL TOLERANCES ARE ±0.25



ELECTRICAL CHARACTERISTICS:

- TURN RATIO : TX = 1CT : 1CT ±2%
RX = 1CT : 1CT ±2%
- OCL(@100KHZ,0.1Vrms W/H 8mA/DC BIAS) : 350uH MIN.
- HI-POT : 1500 Vrms
- CROSS TALK ATTENUATION:
30 MHz = -43.5 dB MIN.
60 MHz = -37.5 dB MIN.
100 MHz = -33 dB MIN.
- RETURN LOSS(@LOAD 100 dB) :
1-30MHz = -16 dB MIN.
40 MHz = -14.4 dB MIN.
50 MHz = -13.1 dB MIN.
60-80MHz = -12 dB MIN.
100 MHz = -10 dB MIN.
- INSERTION LOSS : 1-100 MHZ = -1.4 dB MIN.
- DCMR : 30 MHz = -45 dB MIN.
60 MHz = -40 dB MIN.
100 MHz = -35 dB MIN.
- RoHS COMPLIANT

							TITLE 1000 BASE-T TRANSFORMER	
							DWG. NO. ATPL-393R	
RELEASE		06/11/2010	SHIRLEY	BETTY	KING	UNITS: M/M	SAFETY	SHEET 1 of 1
NO:	DESCRIPTION	DATE	BY	CHK	APPD	DATE	P/N:	DRAW
REVISIONS						06/11/10		SHIRLEY