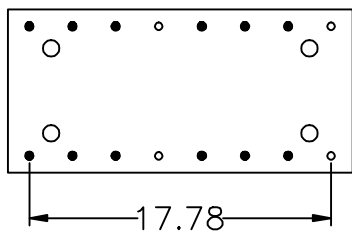
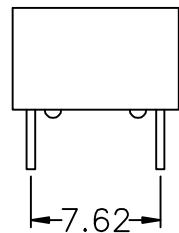
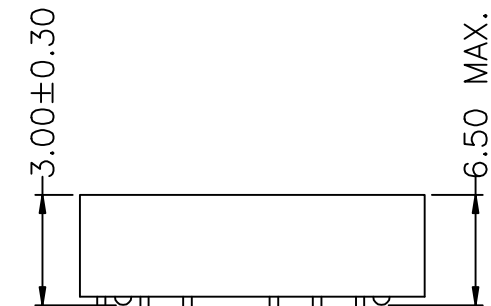


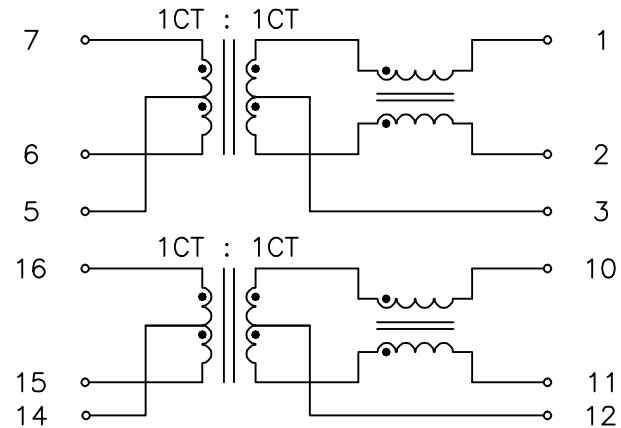


DOT PIN#1



PIN 4-13 & 8-9 CUT OUT

TOLERANCES : XX.X ± 0.25
X.XX ± 0.05



ELECTRICAL CHARACTERISTICS :

1. TURNS RATIO ($\pm 3\%$) : TX = 1CT : 1CT
RX = 1CT : 1CT
2. OCL (@100KHz/0.1Vrms 8mA DC/Bias) : 350uH MIN.
3. HI-POT : 1500 Vrms.
4. INSERTION LOSS : 1~100 MHz = -1.0 dB MAX.
5. RETURN LOSS : 1~30MHz = -16 dB MIN.
30~60 MHz = -12 dB MIN.
60~80 MHz = -10 dB MIN.
6. CROSS TALK : 0.1~100MHz = -32 dB MIN.
7. CMRR : 1~30MHz = -40 dB MIN.
60MHz = -35 dB MIN.
60~100MHz = -30 dB MIN.
8. RoHS COMPLIANT.

								TITLE 10/100 BASE-TX TRANSFORMER	
								DWG. NO. ATPL-375R	
RELEASE		04/14/2010	KING	BETTY	KING	UNITES: M/M	SAFETY		SHEET 1 of 1
NO:	DESCRIPTION	DATE	BY	CHK	APPD	DATE	P/N:	DRAW	
REVISIONS						4/14/2010			KING