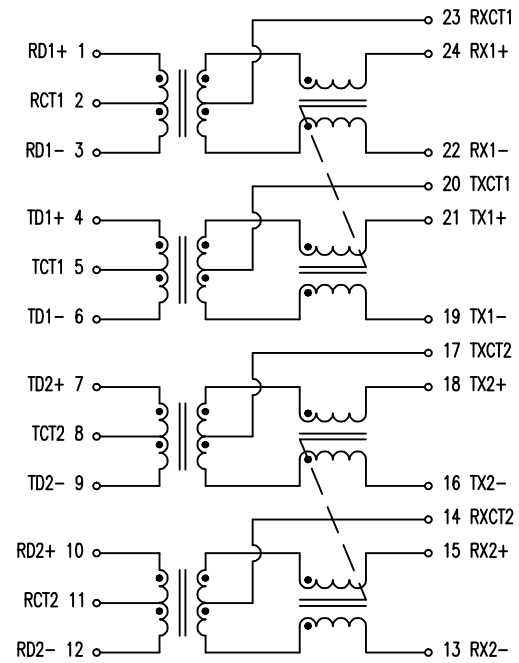


PCB SUGGEST PAD LAYOUT



ELECTRICAL SPECIFICATIONS@25°C :

1. TURNS RATIO TX/RX : 1CT : 1CT
2. PRI OCL (100kHz/0.1V WITH 8mA DC BIAS) : 350uH MIN.
3. DC RESISTANCE BALANCE \leq 3.5%
4. HI-POT : 1500Vrms
5. CROSS TALK : 60MHz = -37dB MIN. 100MHz = -31dB MIN.
6. INSERTION LOSS : 1-100MHz = -1.2dB MAX.
7. RETURN LOSS (@100Ω) : 1-30MHz = -16dB MIN. 40MHz = -14dB MIN.
50MHz = -13dB MIN. 60-80MHz = -12dB MIN.
8. CMRR : 30MHz = -43dB MIN. 60MHz = -37dB MIN. 100MHz = -33dB MIN.
9. RoHS COMPLIANT
10. 350mA CURRENT CAPABILITY

							TITLE 10/100 BASE -TX TRANSFORMER	
							DWG. NO. ATPL-368R	
RELEASE	02/05/2010	LIGHT	BETTY	KING	UNITS: M/M	SAFETY		SHEET 1 of 1
NO:	DESCRIPTION	DATE	BY	CHK	APPD	DATE	P/N:	DRAW
REVISIONS						02/05/10		LIGHT