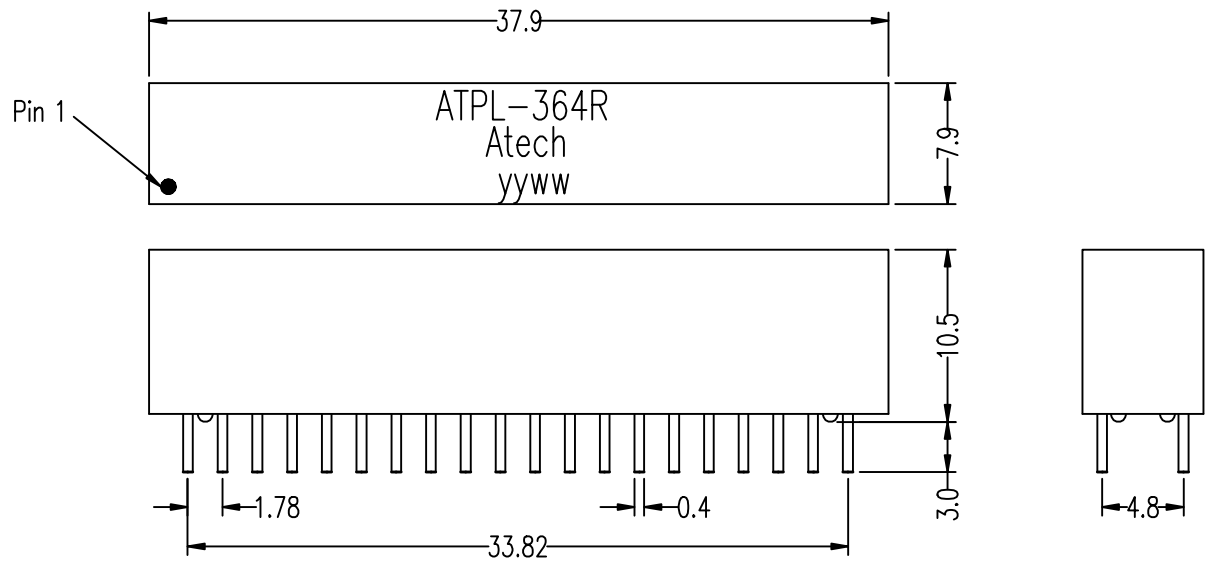



Mechanical Dimensions :



- 1. UNITS : MILLIMETER ALL TOLERANCES ARE  $\pm 0.25$  mm
  - 2. PACKAGE : BLACK PLASTIC SELF-EXTINGUISHING PER UL94V-0.
  - 3. LEAD: SOLDERABILITY PER MIL-STD-202, METHOD 208.
- NOTES: UNLESS OTHERWISE SPECIFIED

PRELIMINARY

					 Link & Power up Your Life !!		TITLE 10/100 BASE-TX, QUAD PORT TRANSFORMER	
							DWG. NO. ATPL-364R	
RELEASE		01/22/2010	LIGHT	BETTY	KING	UNITS:	SAFETY	
NO: DESCRIPTION		DATE	BY	CHK	APPD	M/M	SHEET 1 of 3	
REVISIONS						DATE	P/N:	DRAW
						01/22/10		LIGHT

10/100 BASE-TX DIP QUAD PORT TRANSFORMER

OPERATING TEMPERATURE : -0°C~+70°C

STORAGE TEMPERATURE : -20°C~+85°C

IPC/JEDEC J-STD-033B

Leavel : 2a Time : 4 weeks

Conditions : ≤30°/60%RH

ELECTRICAL SPECIFICATIONS @ 25°C

TURN RATIO : 1CT : 1CT(TX)/1CT : 1CT(RX)

OPEN CIRCUIT INDUCTANCE : 350uH MIN @100KHz,100mV,8 mA DC BIAS

INSERTION LOSS (TX/RX) : -1.0dB max (1-100MHz)

RETURN LOSS (TX/RX) : -18dB min(1~30MHz)

-12dB min (60MHz)

-10dB min(80MHz)

COMMON MODE REJECTION (TX/RX) : -45dB min(1~30MHz)

-40dB min(60MHz)

-35dB min (80~100MHz)


CROSS TALK : -42dB min(1~30MHz)

-40dB min(60MHz)

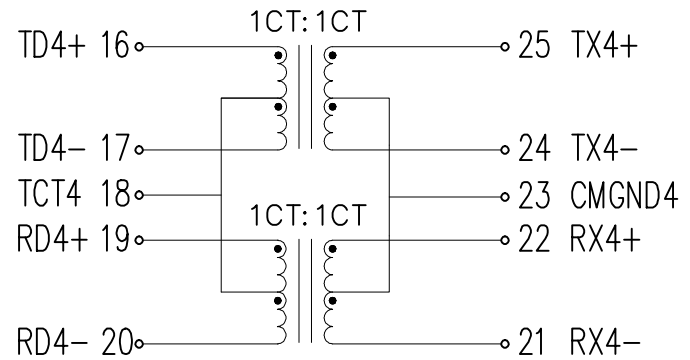
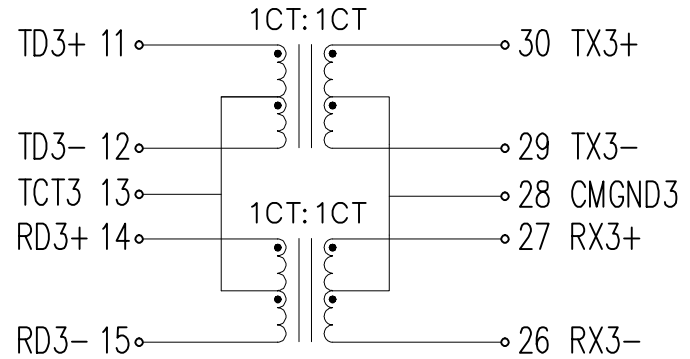
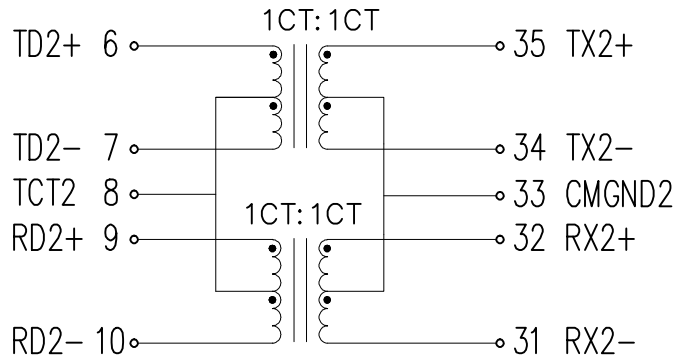
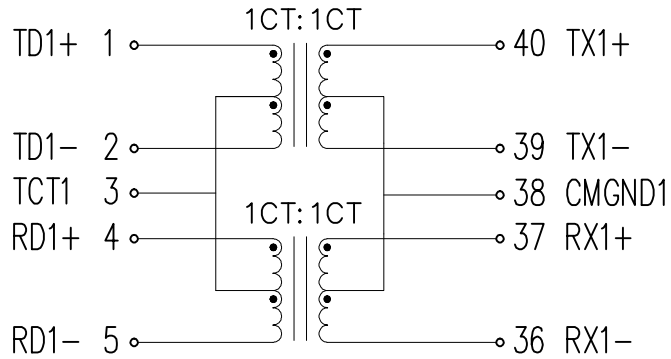
-38dB min(80~100MHz)

ISOLATION(PRIMARY/SECONDARY) : 1500 Vrms For 2sec,1mA Leakage Current


PRELIMINARY

					 <small>Link &amp; Power up Your Life !!</small>		TITLE 10/100 BASE-TX, QUAD PORT TRANSFORMER DWG. NO. ATPL-364R	
RELEASE		01/22/2010	LIGHT	BETTY	KING	UNITS:	SAFETY	SHEET 2 of 3
NO:	DESCRIPTION	DATE	BY	CHK	APPD	M/M	P/N:	DRAW LIGHT
REVISIONS						DATE	01/22/10	

Circuit Schematic :



PRELIMINARY

					 Link & Power up Your Life !!		TITLE 10/100 BASE-TX, QUAD PORT TRANSFORMER	
							DWG. NO. ATPL-364R	
RELEASE		01/22/2010	LIGHT	BETTY	KING	UNITS:	SAFETY	
						M/M	SHEET 3 of 3	
REVISIONS					DATE	P/N:		DRAW
					01/22/10			LIGHT