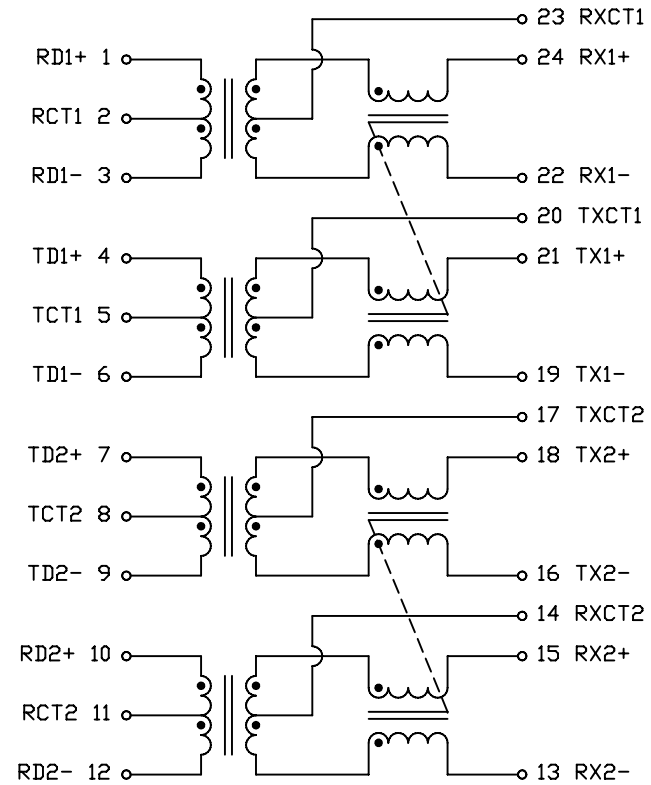


TOLERANCES : XX.X ± 0.25
X.XX ± 0.05



ELECTRICAL SPECIFICATIONS@25°C : <H2006A COMPATIBLE>

1. TURNS RATIO TX/RX : 1CT : 1CT
2. PRI OCL (100KHZ/0.1V WITH 8mA DC BIAS) : 350uH MIN.
3. DC RESISTANCE BALANCE <= 3.5%
4. HI-POT : 1500Vrms
5. CROSS TALK : 60MHZ = -37dB MIN.
100MHZ = -31dB MIN.
6. INSERTION LOSS : 1-100MHZ = -1.2dB MAX.
7. RETURN LOSS (@100 OHM) : 1-30MHZ = -16dB MIN.
40MHZ = -14dB MIN.
50MHZ = -13dB MIN.
60-80MHZ = -12dB MIN.
8. CMRR : 30MHZ = -43dB MIN.
60MHZ = -37dB MIN.
100MHZ = -33dB MIN.
9. RoHS COMPLIANT
10. 350mA CURRENT CAPABILITY

						Atech [®] Atech Technology Co., Ltd. TEL:022794-6667 FAX:022794-8004	TITLE 10/100 BASE-TX TRANSFORMER	
							DWG. NO. ATPL-192R	
						UNITS: M/M	SAFETY	
NO	DESCRIPTION	DATE	BY	CHK	APPD	DATE	SHEET 1 OF 1	
REVISIONS						08/29/06	DRAW <i>Pair</i>	