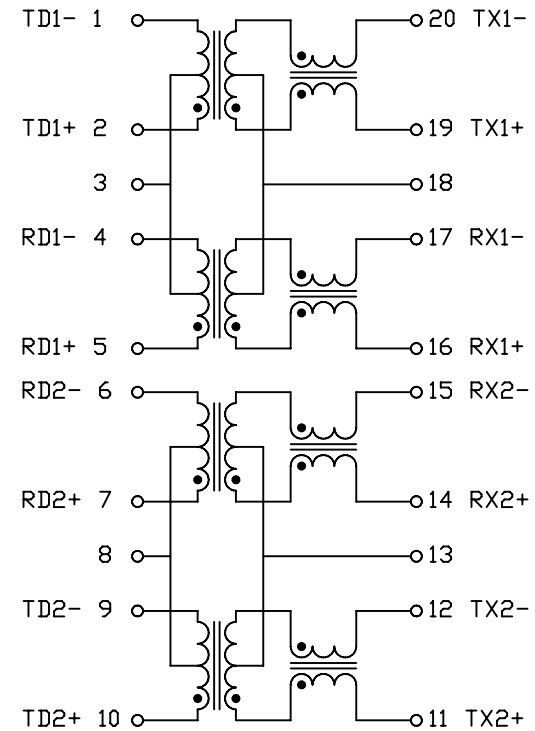


TOLERANCES : ±0.25



ELECTRICAL SPECIFICATIONS @25°C :

1. TURNS RATIO : TX = 1CT : 1CT, RX = 1CT : 1CT
2. PRIMARY OCL : 350uH MIN @100KHZ/0.1Vrms WITH 8mA BIAS
3. WINDING CAPACITANCE CW/W : 50pF MAX.
4. LEAKAGE INDUCTANCE (L.L) : 0.4uH MAX.
5. INSERTION LOSS (TX/RX) : -1.1dB MAX @0.3~100MHZ
6. RETURN LOSS (dB MIN) : 0.3~30MHZ 40MHZ 50MHZ 60~80MHZ
-18 -15 -13 -12
7. CROSS TALK : -35dB MIN @0.3~100MHZ
8. COMMON MODE REJECTION : -40dB TYP.
9. ISOLATION (PRI/SEC) : 1500Vrms.
10. RoHS COMPLIANT

						Atech [®]		TITLE 10/100 BASE-TX TRANSFORMER	
						Atech Technology Co., Ltd.		DWG. NO.	
						TEL:022794-6667 FAX:022794-8004		ATPL-156R	
RELEASE				10/23/2001	PAIR	WILLIE	EUGENE	UNITS:	SAFETY
NO. DESCRIPTION				DATE	BY	CHK	APPD	M/M	SHEET 1 OF 1
REVISIONS								DATE	DRAW
								12/28/06	Pair