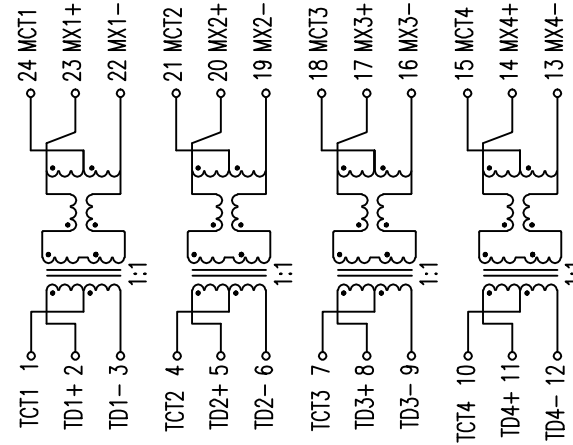


SUGGESTED PAD LAYOUT



ELECTRICAL CHARACTERISTICS @25°C:

- INSULATION HI-POT : 1500Vrms/1mA, 60Sec.
- TURN RATIO ( $\pm 5\%$ ) : 1CT : 1CT
- OCL : 350uH MIN. 8mA/DC Bias
- CROSS TALK (dB MIN.) : 1-100MHz ; -30dB MIN.
- INSERTION LOSS (1MHz-100MHz) : -1.1dB MAX.
- RETURN LOSS (dB MIN. @100  $\Omega$ ) :
 

|         |       |       |          |        |
|---------|-------|-------|----------|--------|
| 1-30MHz | 40MHz | 50MHz | 60-80MHz | 100MHz |
| -18     | -14.4 | -13.1 | -12      | -10    |
- DIFFERENTIAL TO COMMON MODE REJECTION (dB MIN.) :  
 1-100MHz : -30dB MIN.
- RoHS COMPLIANT

|           |         |            |         |       |       |          |                       |              |
|-----------|---------|------------|---------|-------|-------|----------|-----------------------|--------------|
|           |         |            |         |       |       |          | TITLE 100/1000 BASE-T |              |
|           |         |            |         |       |       |          | TRANSFORMER           |              |
|           |         |            |         |       |       |          | DWG. NO. ATPL-107GR   |              |
| NO:       | RELEASE | DATE       | BY      | CHK   | APPD  | UNITS:   | SAFETY                | SHEET 1 OF 1 |
|           |         | 02/05/2018 | SHIRLEY | BETTY | BETTY | M/M      |                       |              |
| REVISIONS |         |            |         |       |       | DATE     | P/N:                  | DRAW         |
|           |         |            |         |       |       | 02/05/18 |                       | SHIRLEY      |