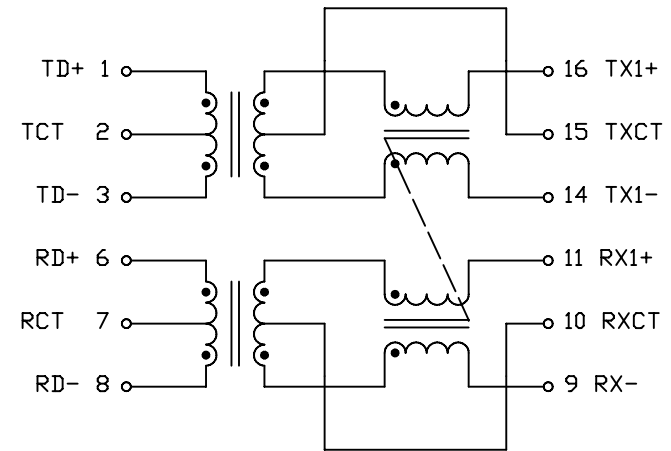


SUGGESTED PAD LAYOUT

UNLESS OTHERWISE SPECIFIED ALL TOLERANCES ARE ± 0.25



ELECTRICAL CHARACTERISTICS :

1. TURNS RATIO : 1CT:1CT
2. OCL <100KHZ/0.1V WITH 8mA/DC BIAS> : 350uH MIN.
3. HI-PDT : 1500Vrms
4. CROSS TALK : 60MHZ = -40 dB MIN.
100MHZ = -35 dB MIN.
5. INSERTION LOSS : 1-100MHZ = -1.2 dB MAX.
6. RETURN LOSS : 1~30MHZ = -16dB MIN.
40MHZ = -14dB MIN.
50MHZ = -13dB MIN.
60~80MHZ = -12dB MIN.
7. DCMRR : 30MHZ = -43dB MIN.
60MHZ = -37dB MIN.
100MHZ = -33dB MIN.
8. ROHS COMPLIANCE

						Atech [®]		TITLE 10/100 BASE-TX MODULE	
						Atech Technology Co. Ltd. TEL:02794-6667 FAX:02794-8004		DWG. NO. ATPL-046ER	
RELEASE		06/21 /2005	BART	AL	SUEDY	UNITS: M/M		SAFETY	
NO.	DESCRIPTION	DATE	BY	CHK	APPD	DATE		SHEET 1 OF 1	
REVISIONS						06/21/05		DRAW Pair	