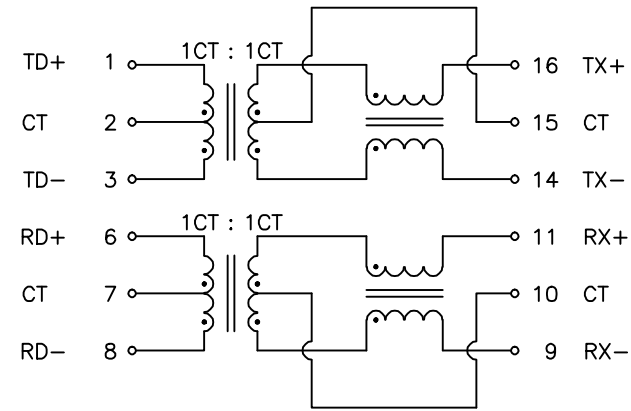


SUGGESTED PAD LAYOUT

TOLERANCES: xx.x0±0.25
0.xx±0.05



* RoHS COMPLIANT

ELECTRICAL SPECIFICATIONS @ 25°C :

1. TURNS RATIO (± 5%) : PIN 1-3 : 16-14 = 1CT : 1CT
PIN 6-8 : 11-9 = 1CT : 1CT
2. OCL (@100KHz/0.1V WITH 8mA BIAS) : PIN (1-3/6-8) = 350uH MIN.
3. CW/W : 35pF MAX.
4. L.L : 0.5uH MAX.
5. DCR : 1.2Ω MAX.
- △ 6. INSERTION LOSS : 1-100MHz = -1.1dB MAX.
- △ 7. RETURN LOSS (@100Ω) : 1-30MHz = -18dB MIN.
40MHz = -14.4dB MIN.
50MHz = -13.1dB MIN.
60-80MHz = -12dB MIN.
- △ 8. DCMR : 1-100MHz = -30dB MIN.
- △ 9. CROSS TALK : 1-100MHz = -30dB MIN.
10. HI-POT : 1500Vrms
11. OPERATING TEMPERATURE RANGE : -40°C~+85°C

								TITLE 10/100 BASE-TX PoE TRANSFORMER	
								DWG. NO. ATPL-046AR	
A	CHANGE ELECTRICAL SPECIFICATIONS	11/01/2016	SHIRLEY	BETTY	BETTY	UNITS: M/M		SAFETY	
	RELEASE	10/31/2016	SHIRLEY	BETTY	BETTY	DATE 10/31/16		SHEET 1 of 1	
NO:	DESCRIPTION	DATE	BY	CHK	APPD	REVISIONS		DRAW SHIRLEY	